



Sovitron Interior Pvt.Ltd.



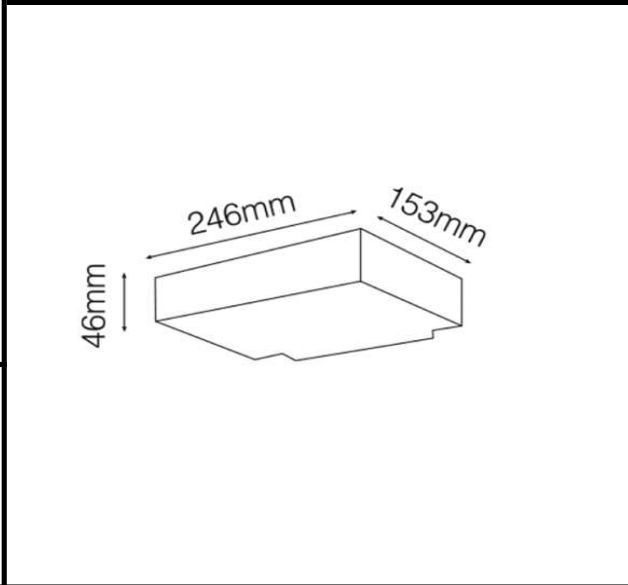
Model Name	SILAS-K2500 Wall Light/DL-OUC-K2500-33
Description	Wall light (Indirect)

Technical description	Image
-----------------------	-------

Dimension	L=246mm,W=153mm H=46mm
Frame	Aluminium Die-cast
Color Tempertaure	4000K
Power	33W
Total Luminous Flux	1980 lm
Efficacy	60 lm/W
IP rating	54
Beam angle	90°
Color Rendering	≥80
Mounting	Surface
Optics	Clear Tempered glass
Dimming	NON-Dimmable
Operating Voltage	220-240 VAC
Standard Lifetime	L70 minimum at 50,000 burning hours



Dimension diagram



Remarks:-

Address: Plot #7 Saroorpur-Nangla Industrial Area,Ballabgarh-Sohna Road,Faridabad-121005
Email: info@sovitron.com